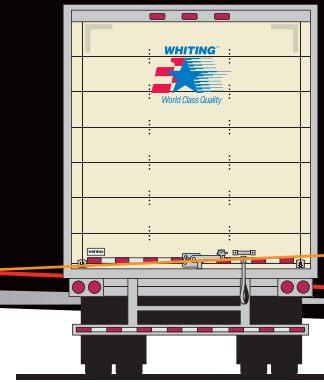


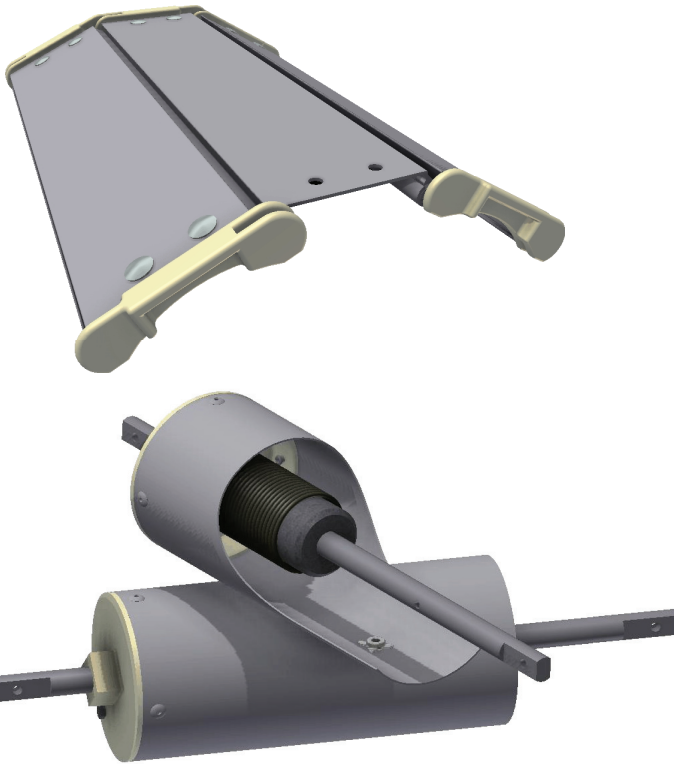


A U S T R A L I A

Robinson 57mm Aluminium Premium Shutter



With over 50 years experience Robinson shutters are specifically designed using the highest quality components that are very easy and quick to install, yet deliver the highest reliability, seal against road dirt and water and offer smooth rattle free operation.



Features

- Ease and speed of assembly
- Total reliability
- Smooth rattle-free operation
- Effectively sealed against ingress of road dirt and water
- Combined track and side seal carrier optional
- Bottom seal as standard
- Durable interlocking nylon end shoes
- Easy operation
- 57mm single-skin slat making the Robinson 57 the lightweight option
- Pre-tensioned, lubricated efficient operator with simple adjustment
- Available in Mill, Anodised or powder coat finish

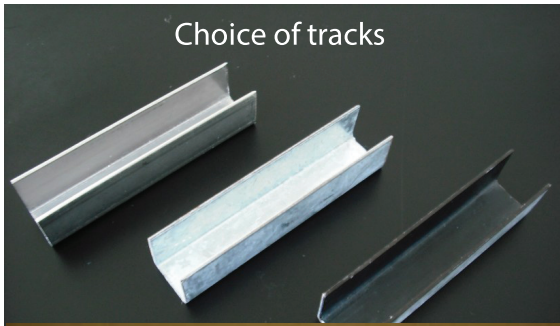
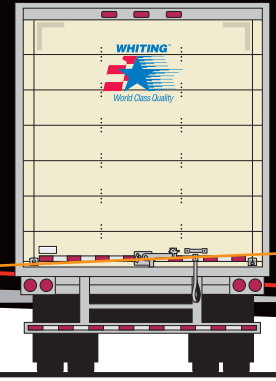


Questions?
Call Southern States Group for more information.

Southern States Group reserves the right to modify, without notice, the technical and aesthetic characteristics of the product.



Robinson 57mm Aluminium Premium Shutter



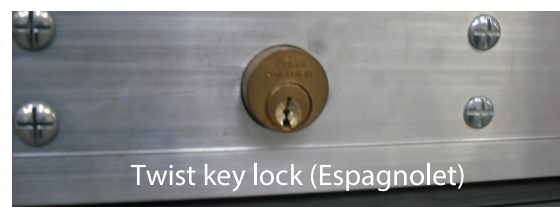
Choice of tracks



Chrome locking 'L' handle



Hasp & Staple



Twist key lock (Espagnolet)

Features

- Hand built to customer specification with a choice of bottom rails and locks
- Choice of tracks, galvanised, stainless steel or PTFE coated
- Flat profile slat provide best surface for fitting of conspicuity tape or decals
- Flocked side seals if required

Lock Options

- Locking chrome "T" handle
- Locking chrome "L" handle
- Lift bar lock
- Twist key lock (Espagnolet)
- Hasp & staple
- Hook lock with escutcheon cover
- Knob locks
- Sliding handle



Lift bar with hook lock

Questions?
Call Southern States Group for more information.

Southern States Group reserves the right to modify, without notice, the technical and aesthetic characteristics of the product.