



joloda
hydraroll

LIGHTENING LOADS

WORKING IN
PARTNERSHIP WITH



rollerbed systems: modular warehouses

introduction

Modular Rollerbed Systems

Joloda Hydraroll's range of modular roller systems are a diverse and innovative solution. Our systems are proven to make your logistical processes as easy and dynamic as possible to save you time and money to make your business more efficient and profitable.

Our innovative solutions have seen us specialise in the entire logistical process, from moving cargo around factories, warehouses and airports, to moving loads through docking bays, into vehicles such as trucks and vans.

Our modular roller systems have a variety of different applications. We've assembled a suite of different brochures to help you understand how to streamline your logistics processes and create the ideal solution to your loading problems.



BLOCK PALLETS



AIR CARGO



VANS



Our modular rollerbed systems are simply mounted on top of the existing warehouse floor and can convert any regular warehouse floor into an air cargo handling station, without any civil works.

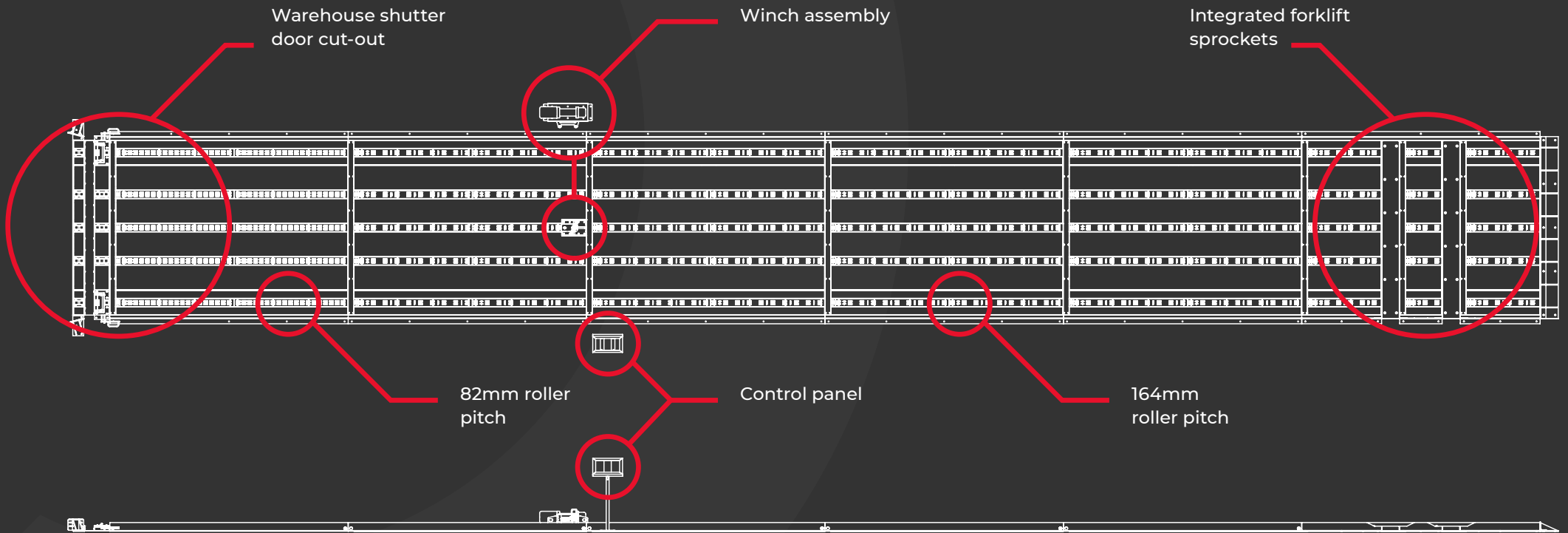
The system consists of multiple lightweight aluminium frames that are interconnected and equipped with lanes of rollertrack that feature a pneumatic rise and fall function for handling ULDs, PMC pallets, and block pallets.

contents

Schematic Drawings	5	System Specifications	16
Platform Section Types	7	Installations	17
Basics of Design	9	Videos	19
Rollertrack Types	10	Why Choose Us?	20
Platform Fixings	12	About Us	22
System Controls	13	Global Leaders	23
Safety Features	14	Let's Chat	24

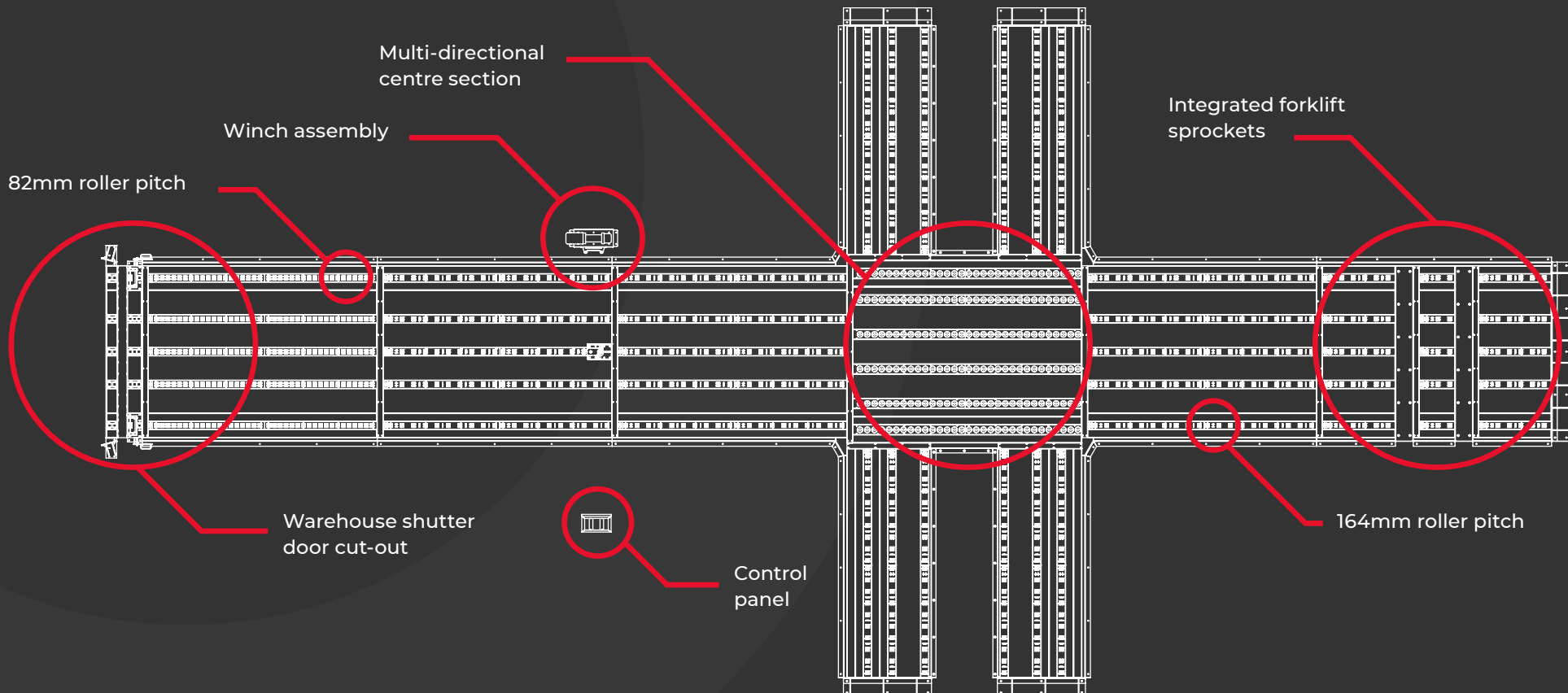
schematic drawings

Setup example: six section with forklift point. System length: 20 meters

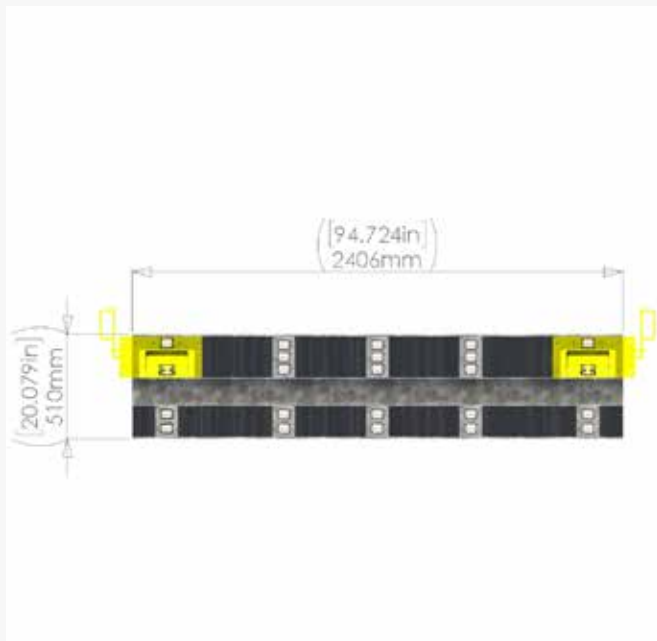


schematic drawings

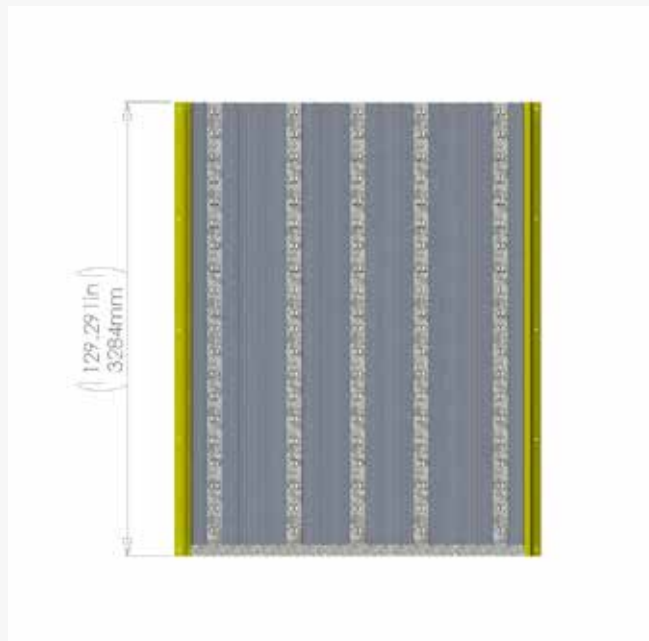
Setup example: Six section with three forklift points and multi-directional center section. System length: 20 meters



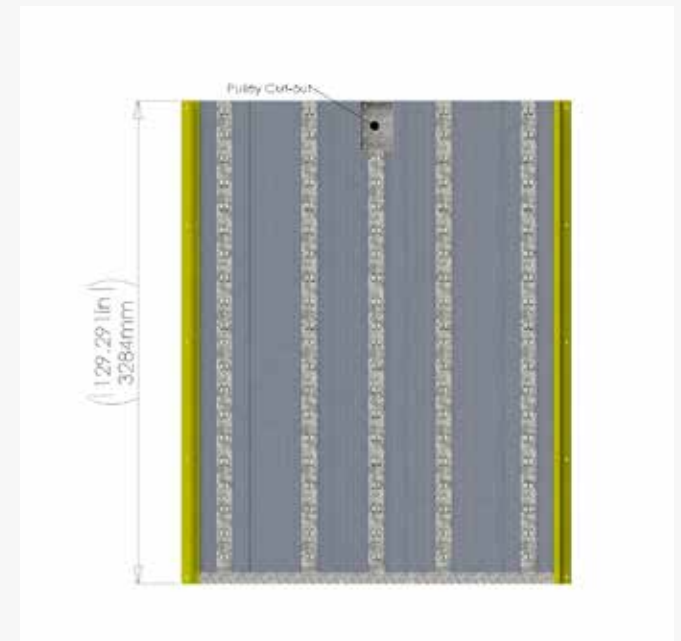
platform section types



SHUTTER DOORS

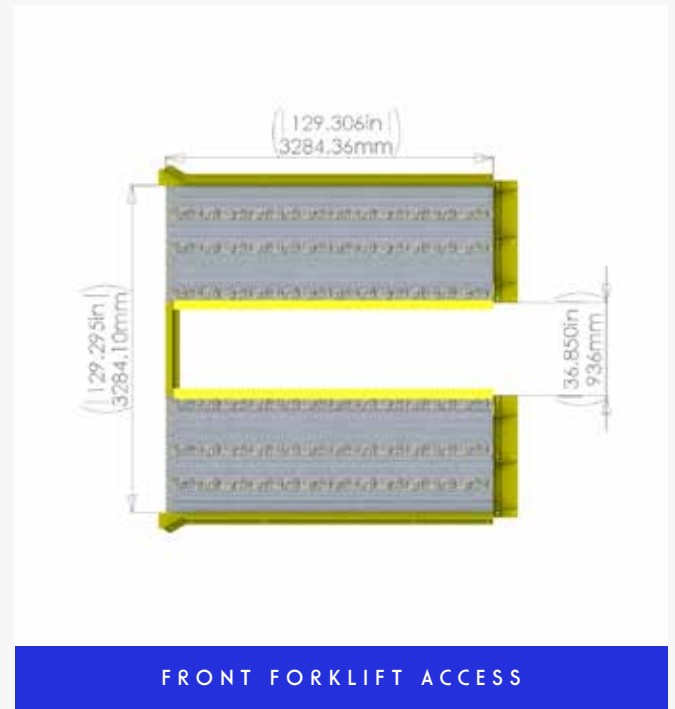
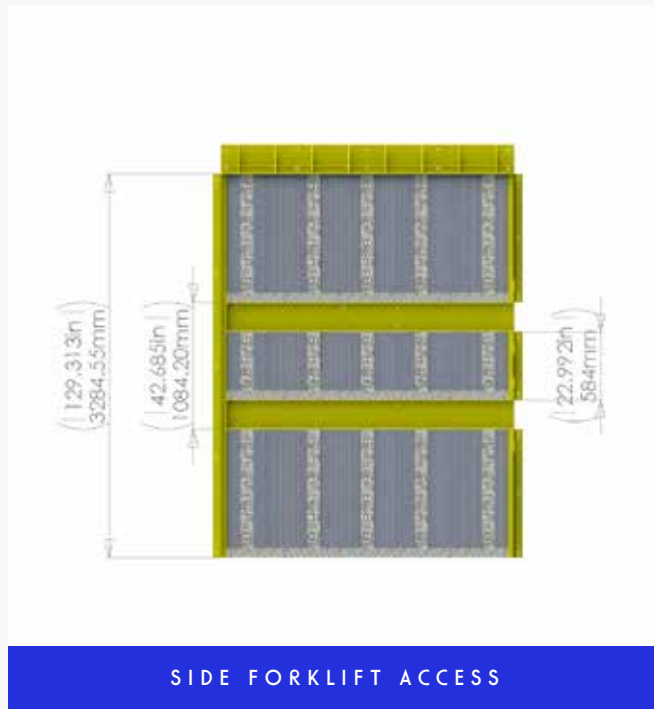
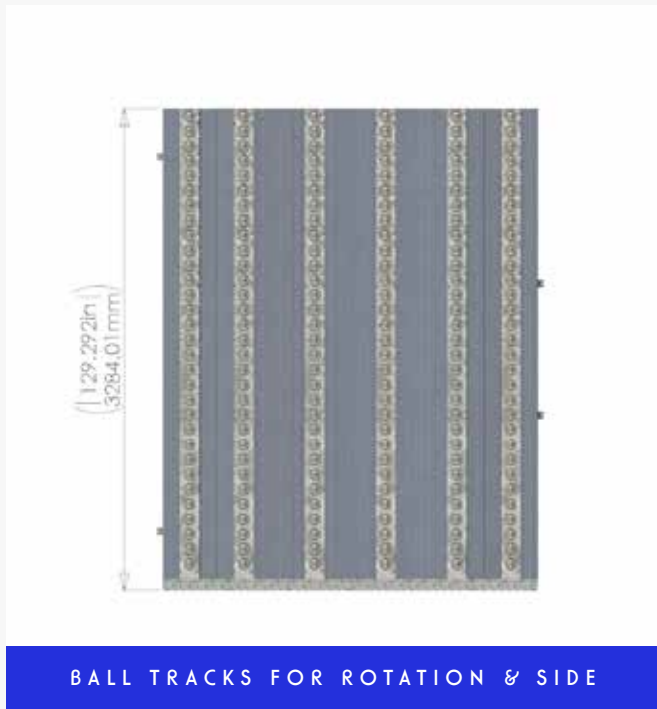


LINEAR LANE PLATFORM



INTEGRATED WINCH

platform section types



basics of design

Modular rollerbed design

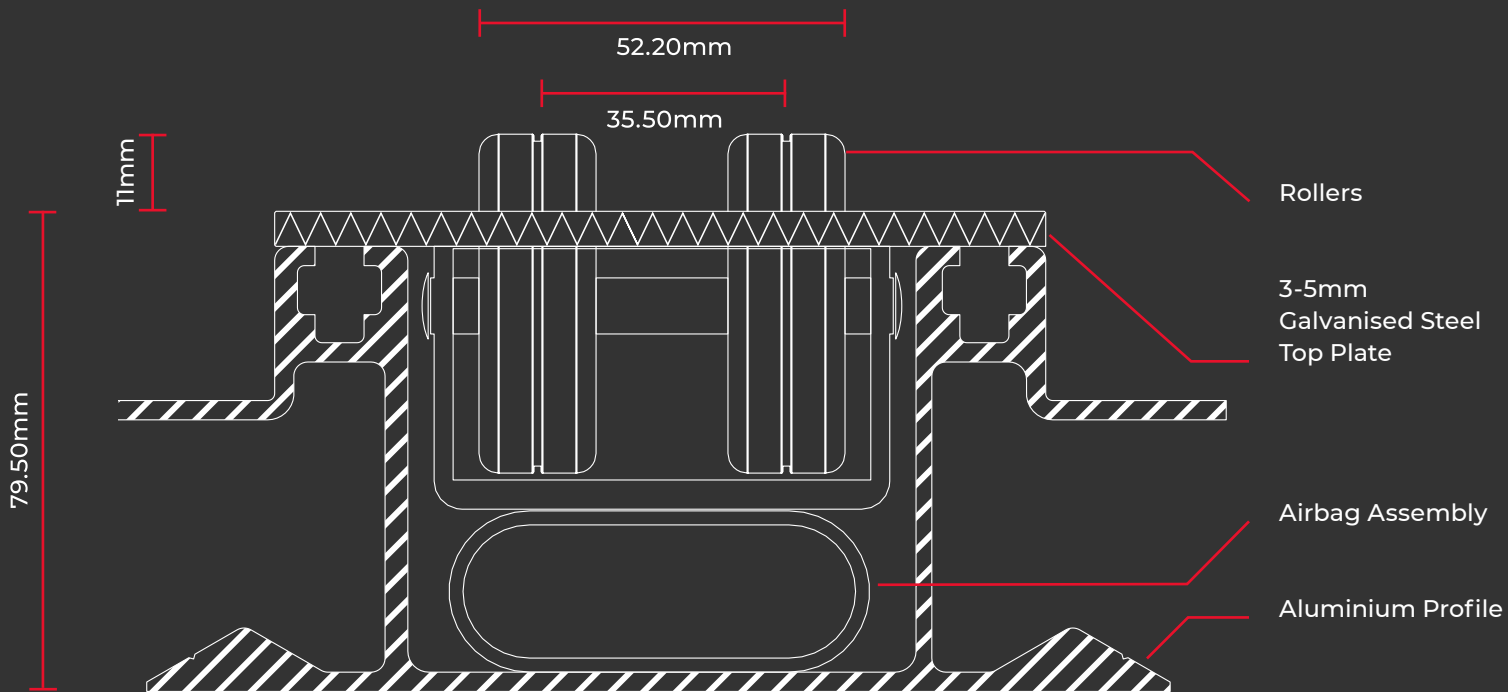
The design of the frames is based on aluminium floorboards, which feature pneumatic rise and fall rollertrack modules. No welding is required to make a frame.

The front and rear of the frames are closed by zinc plated steel profile which are screwed to the warehouse floor.

The frames are supplied partly pre-assembled and ready for installation. Our platforms can be specified in different configurations, which together, form a complete system.



rollertrack types

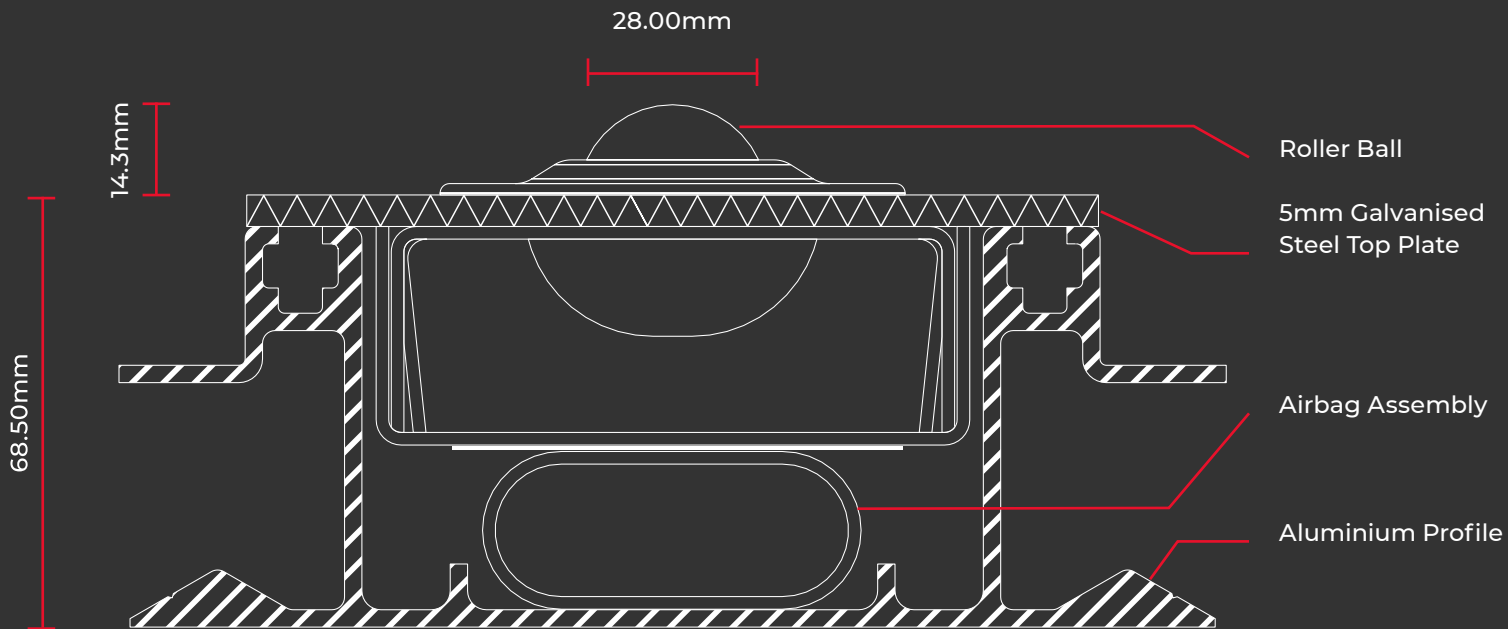


MK21 Twin Rollertrack

For warehouse applications, the MK21 twin rollertrack is the ideal solution for manoeuvring air cargo in back and forth movements.

Although, depending on the load and application, the MK21 twin rollertrack can also be replaced with our MK4, 50mm-wide single rollertrack.

rollertrack types



MK15 Ball Track

For warehouse applications, the MK15 ball track is the ideal solution for use on turning tables to manoeuvre air cargo back and forth and also side-to-side.

platform fixings

Frames and Fixings

The modular rollerbed system frames can be fixed straight onto the concrete floor with galvanized steel clamping brackets and chemical anchor bolts. Whilst heavy-duty 'L'-shaped protection strips help to protect the frames from forklift traffic.



ANCHOR BOLTS AND BRACKETS



FORKLIFT PROTECTION STRIPS

system controls

As the modular rollerbed system pneumatically rises and falls, the system can either be connected to the facility's compressed air system or be connected to a mobile 400-volt compressor unit. Control units come with a built-in air pressure regulator.

Depending on the layout, length of the system and the number of air sections, the system can either be operated from a manual or an electric pneumatic control panel. The system's design allows each frame's rollertrack module to be controlled individually and multiple control panels can be specified to control specific parts of the system. This means that the system can be designed as per your specific requirements.



PNEUMATIC TYPE



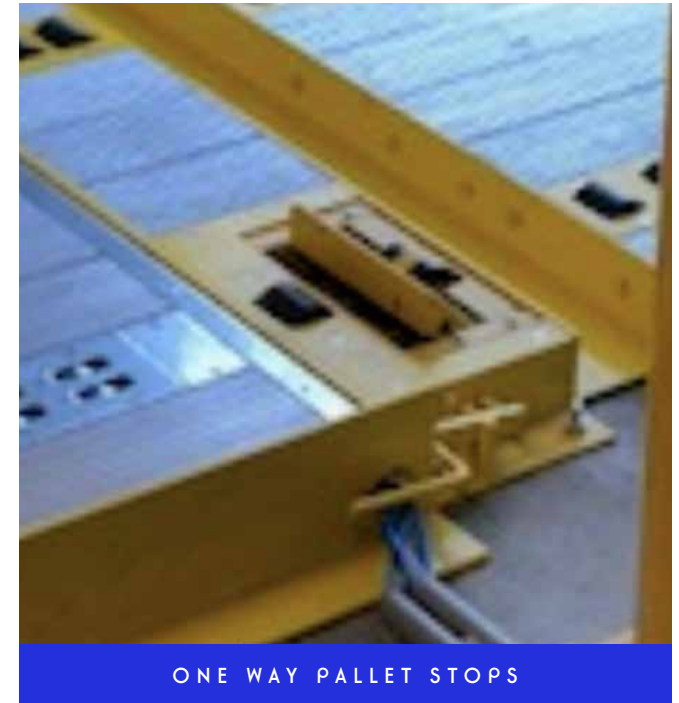
ELECTRICAL/PNEUMATIC VERSION

safety features

Heavy-Duty impact Zone with One-Way Pallet Stops

The first frame of the modular rollerbed system is typically located on the outside of the loading dock door. We call this section the 'transfer platform'. The length of this frame is determined by the distance between the shutter door and the end of the loading bay. The design includes a cut-out for the roller shutter door, so no modifications to the door are required.

This first frame also features integrated pallet stops. This is an additional safety feature that allows pallets to roll in one direction only. When unloading cargo from trailers, the pallet stops prevent ULDs or PMC pallets from rolling into the loading bay door or off from the loading dock. If the modular rollerbed system is used for loading processes too, the pallet stops can be manually lowered to allow the cargo to roll from the warehouse into the trailer.



safety features



FORKLIFT PROTECTION STRIPS

Forklift Protection Strips

To protect the system against damage from operating forklifts, the delivery comes complete with heavy-duty 'L'-shaped protection strips around all the open sides, which are powder-coated in bright yellow so they're easily visible by forklift operators. The forklift protection strips also act as pallet guides and prevent cargo from rolling off the rollerbed during operation.



EMERGENCY RELEASE POINTS

Emergency Release Points

As a safety feature, emergency air release points can be specified at various locations alongside the frame. If an emergency button is pressed, the system will release air pressure out of the frame's pneumatic airbag system to lower the rollers and bring any cargo to an immediate stop.

system specifications



ELECTRIC WINCH

Electric Winch

Electric winches can be specified as part of the modular rollerbed system to pull cargo out of trailers or along the frames. This is especially beneficial to help load or unload cargo safely if there is a slight incline or decline on either the rollerbed or in the trailer.



RECESSED POCKETS

Recessed Pockets

Recessed pockets can be specified as part of the modular rollerbed system with cut-outs for forklift sprockets to allow the forklift to place either ULDs or pallets on the frames or onto the transfer platform. These are unavailable on the transfer platform.



TRAILER GUIDES

Loading Dock Trailer Guides

Loading dock trailer guides with (or without ramps) can be specified as part of the modular rollerbed system to guide the trailer accurately into the loading dock, whilst ramps will raise the height of the trailer bed to match the height of the loading dock.



SLAVE PALLETS

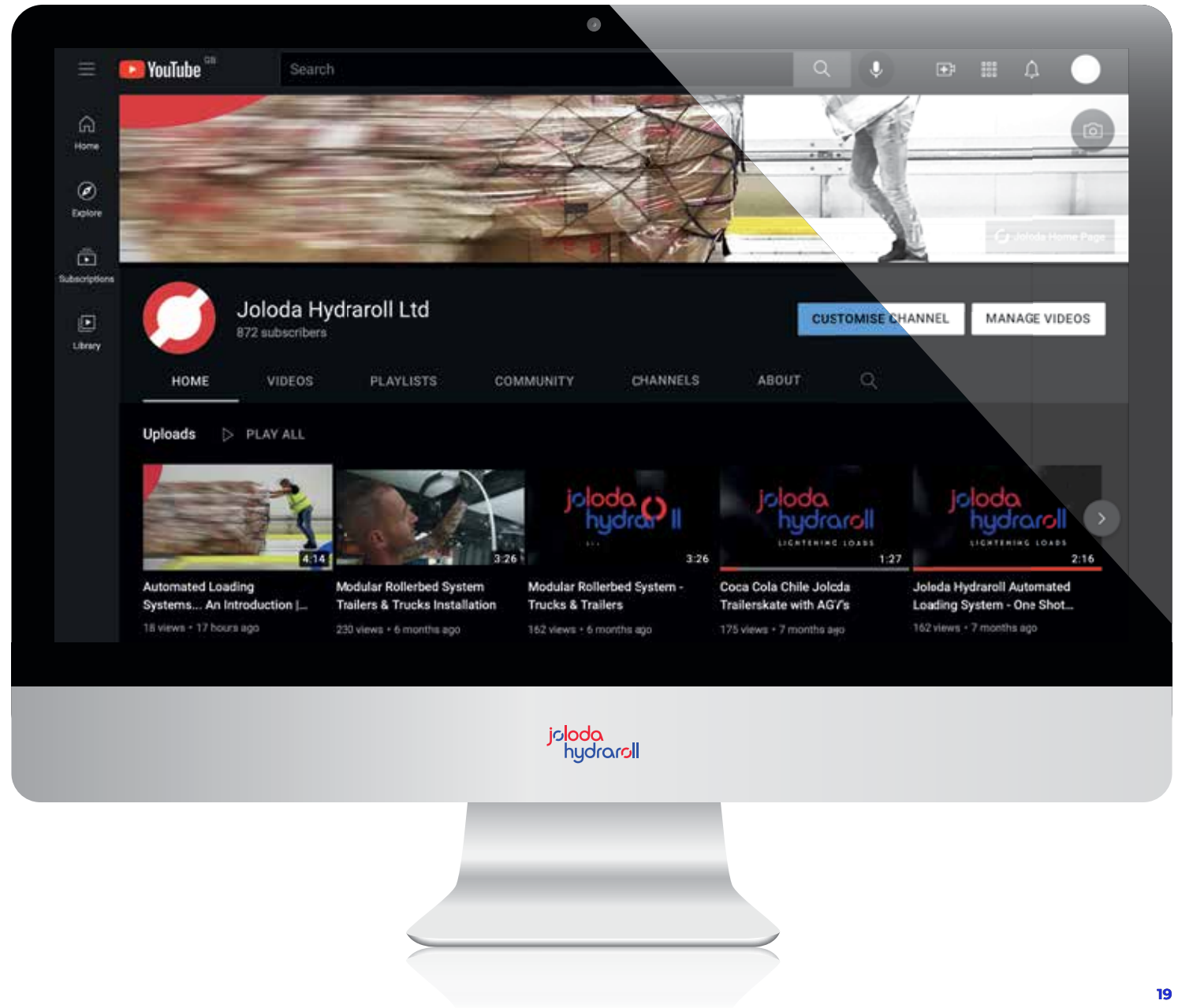
Slave Pallets

Ultra-low height slave pallets can be specified as part of the modular rollerbed system to safely load and transport ULDs and PMC pallets into and around the warehouse, without damaging either the cargo or the frames.





Watch now,
scan here.



why choose us?

We're much more than 'off-the-shelf'. We're the creators, the experts and we're here to help streamline your logistics and create the ideal loading solutions for your loading problems.



we are a british big thinking
innovative brand building
high quality equipment using
high grade materials with
cutting edge techniques
material handling equipment
manufacturer.

about us

We help businesses lighten loads.
We are highly regarded as the world's leading loading and unloading solutions provider in the logistics industry.

Over the last 60 years, we've helped thousands of businesses streamline their logistics operations to be more cost-efficient, more sustainable, and more health and safety-conscious.

We're more than 'off-the-shelf'. We're the pioneers, the creators, the experts. We design, manufacture, install, service and maintain world-class loading solutions. We can help innovate, automate and streamline your end-of-production line problems, wherever you are.

We have an experienced network of 30+ distributors that offer a helping hand to have experts in local standards.

We have installed more than 500,000 loading systems and through our extensive knowledge and expertise, we inspire change and make manual loading solutions more efficient and effective.

We are the world leaders in loading solutions, and we're here to lighten your load.



a global leader, with local partners



Europe

- Belgium
- Czech Republic
- France
- Germany
- Italy
- Netherlands
- Poland
- Portugal
- Spain
- Sweden
- UK

Asia

- Dubai
- India
- Japan
- Korea
- Malaysia
- Saudi Arabia
- Taiwan
- Thailand
- Turkey

Africa

- Egypt
- South Africa

Americas

- Argentina
- Brazil
- Chile
- Mexico
- USA

Oceania

- Australia

if you have any questions,
please get in touch!

joloda
hydraroll

LIGHTENING LOADS

WORKING IN
PARTNERSHIP WITH



lightening loads around the world

joloda.com

Southern States Group

4-6 Burns Road, Altona
VIC 3018, Australia
+61 3 8689 7111
info@ssgroup.com.au

Joloda Hydraroll Ltd (Head Office)

1 De Havilland Drive, Liverpool
L24 8RN, United Kingdom
+44 151 427 8954
hello@joloda.com

Joloda BV (European Office)

De Hulst 13, 5807 EW, Oostrum
Venray, The Netherlands
+31 478 501 059
sales@joloda.nl

Joloda Loading Automation (USA Office)

PO Box 4820, Wilmington
North Carolina, 28406, USA
+1 910 791 2125
brett.murrill@loading-automation.com

Joloda Hydraroll SAS (French Office)

1 Cour du Havre, CS50101
75008 Paris, France
+ 33 7 81 41 99 00
jbalsemin@joloda.com